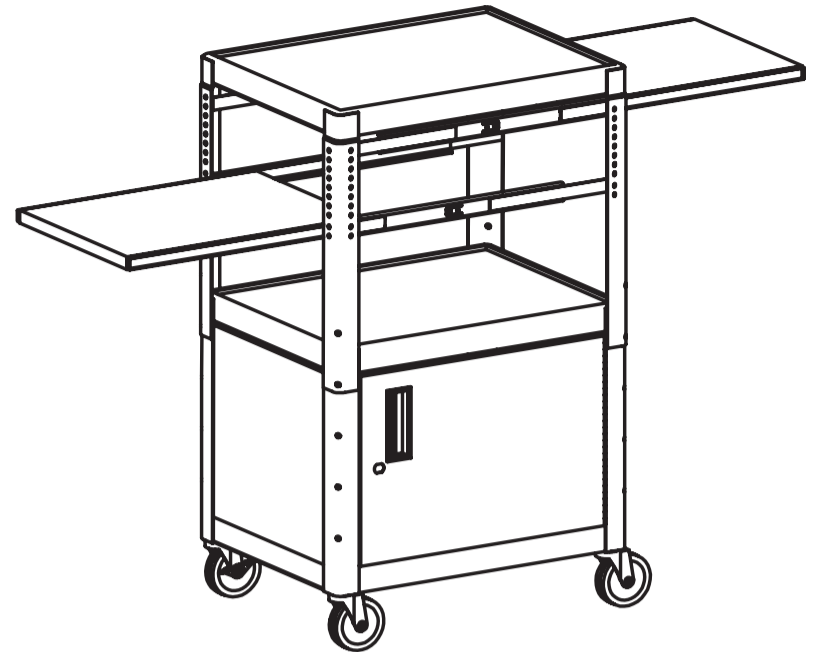


## Instruction Sheet

### HamiltonBuhl Adjustable AV Cart with Locking Security Cabinet and 2 Side Shelves Model #: CABT4226E-5

Warranty begins the date item ships from our warehouse. All products, except metal cart, have a one year warranty from original date of shipment, unless otherwise noted. Metal carts have a limited lifetime warranty on all housing components; however, carts have a one year warranty on any electrical/mechanical components.



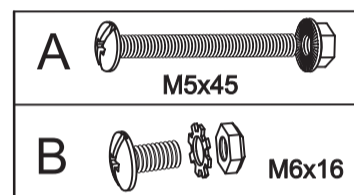
**CABT4226E-5**

## Parts list

Qty.	Description	Qty.	Description
1	Top table section with decal	3	Screws and hex nuts (A)
1	Two shelf bottom section	9 Set	Phillips head bolt, washer and hex nut (B)
1	Electrical bracket	2	Casters with brakes
1	Power cord	2	Casters without brakes

### Screw table

Some screws may already be screwed into related parts.



### Tools required

- Screwdriver
- Adjustable wrench/pliers
- Rubber mallet

**PROP 65 WARNING:** This product contains the chemical known to the State of California to cause cancer and birth defects or other reproductive harm.

**Note: This unit is easier to assemble with two people.**

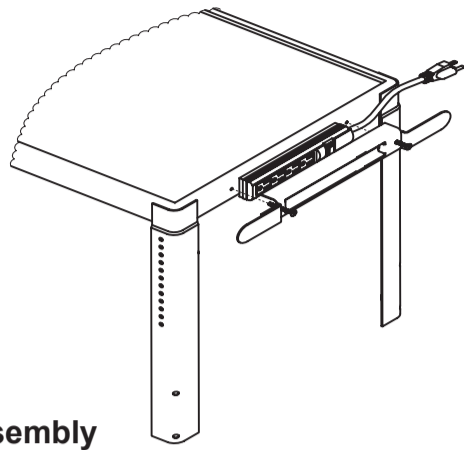
**1.**  
Insert top table section onto bottom section.

Desired Unit Height	Use These Corresponding Holes
26"	1 & D
30"	1 & C or 2 & D
34"	1 & B or 2 & C
38"	1 & A or 2 & B
42"	2 & A

**2.**  
Align corresponding holes of unit to obtain desired height of table as needed.

**3.**  
Insert two bolts, washer and nuts (see screw table B) into each leg of table. Washer should be on the inside of leg. Tighten all bolts and nuts.

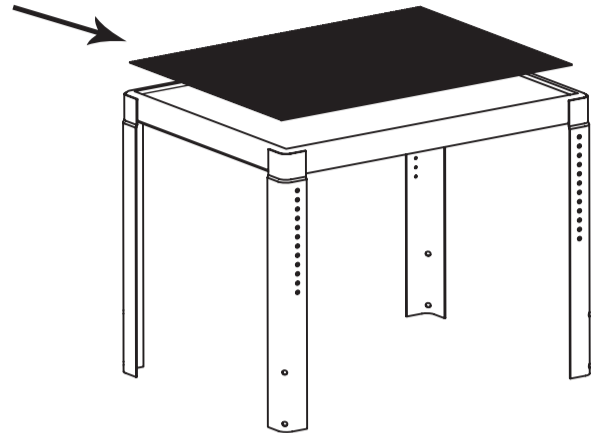
**4.**  
Lay unit on floor. Insert casters with brakes into opposite corner holes in the bottom of the unit. Insert other casters into remaining holes of unit.



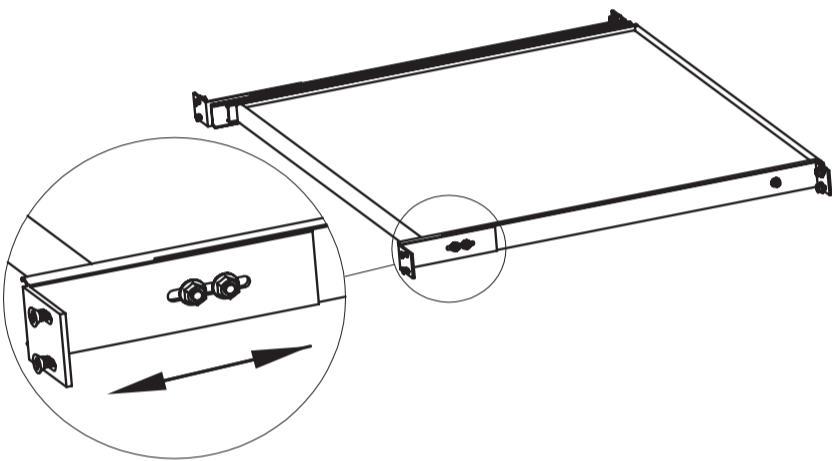
**5. Electrical bracket assembly**

- A. Push power cord into back of bracket as illustrated.
- B. Attach electrical bracket with power cord to any side of top shelf with two nuts and bolts supplied (see screw table A). Tighten nuts and bolts securely. Wrap remaining cord around outside wings of the bracket.

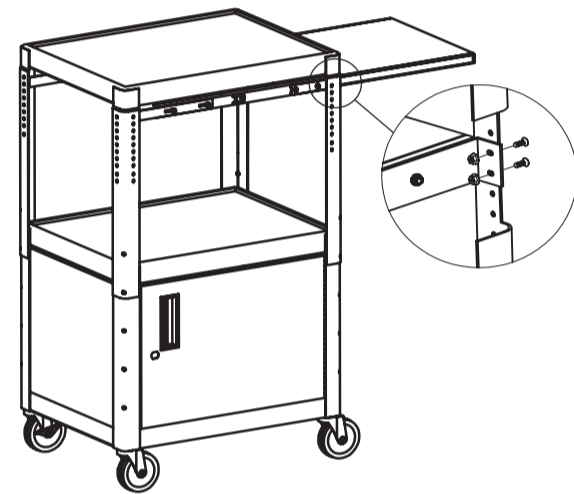
Rubber mat



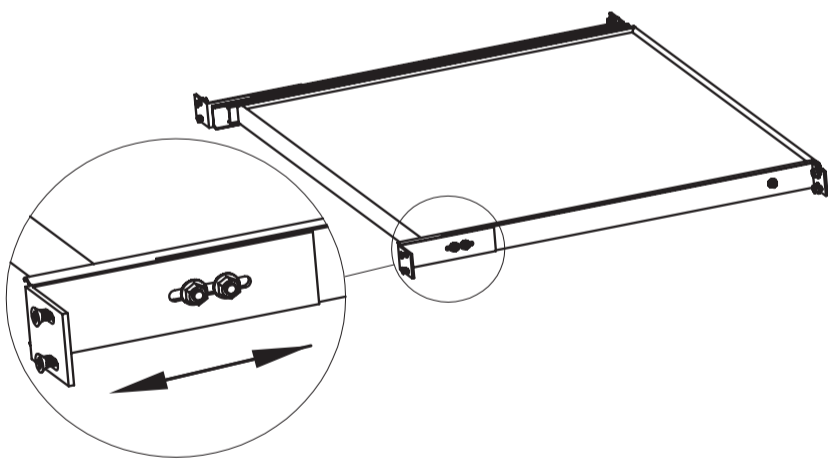
- 6.** Stand unit up onto casters and lay rubber mat into top shelf.



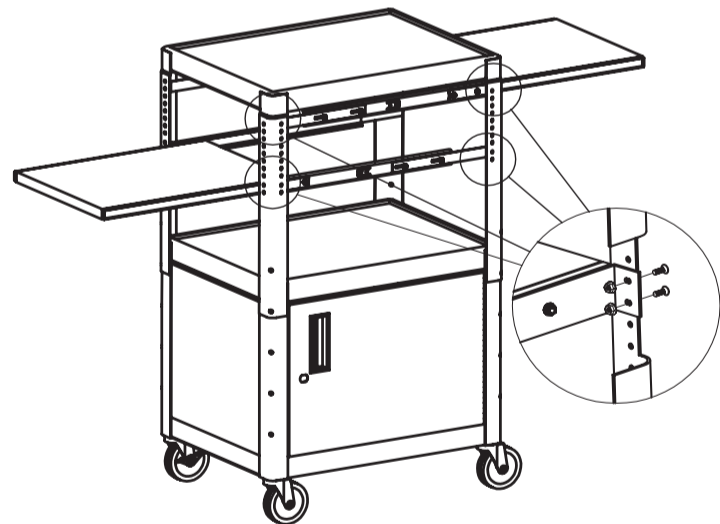
- 7.** Adjust the width of the pull out shelf to the same width of the cart and tighten the screws as shown.



- 8.** Position the pull out shelf either on the left or right hand side under the top section, use the flat head screws with washer to tighten the shelf onto the poles.



- 9.** Adjust the width of the pull out shelf to the same width of the cart and tighten the screws as shown.



- 10.** Position the side pull out shelves on the top section, use the flat head screws with washer to tighten the shelf onto the poles.