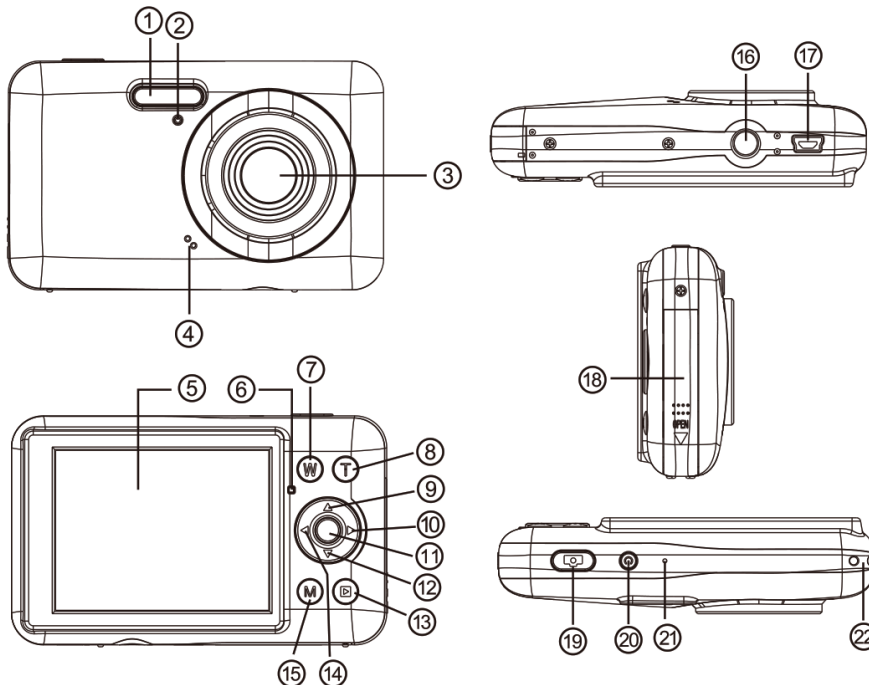


CAMERA-DC2

Quick Reference Guide



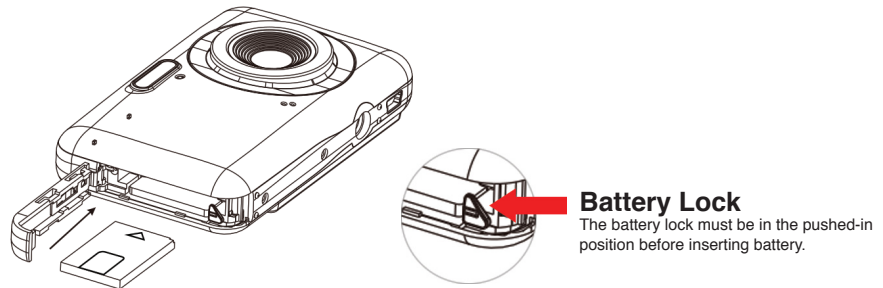
Product Features



1. Flash
2. Self-Timer / Charge Indicator
3. Lens
4. Speaker
5. LCD Display Screen
6. Status Indicator LED
7. W Button
8. T Button
9. Up / Flash Button
10. Right / Delete Button
11. Menu / OK Button
12. Down / Self-Timer Button
13. Playback Button
14. Left / Scene Button
15. Mode Button
16. Tripod
17. USB Port
18. Battery Cover
19. Shutter Button
20. Power Button
21. Microphone
22. Wrist Strap Hole

Installing the Battery

The battery lock must be in the pushed-in position before inserting battery. Install the battery before using, and make sure battery cover is closed.



1. Load the lithium battery into the battery compartment according to the polarity markings.
2. Close the battery cover.
3. Power on the camera. A symbol of battery capacity is in the lower right corner of the LCD screen.



Note

1. When the camera power becomes low, "low battery" information will display on the LCD screen. The camera will power off automatically, after a few seconds.
2. Remove the battery from compartment if the camera is not in use for an extended period of time.
3. When the battery level is low, charge the battery fully.

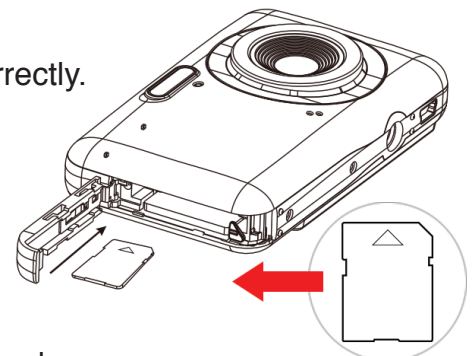
Charging the Lithium Battery

1. Make sure the battery is fully charged before use.
2. To charge the battery, connect it to your PC with the USB cable.
3. While charging, the LED (green) indicator light will be illuminated. When fully charged, the LED light will turn off.

Load SD card

Load the SD card into the card slot next to the battery compartment. To install:

1. Open the battery cover and locate the SD card slot.
2. Load the SD card correctly as shown in the picture.
3. When you hear a "click" it means the memory card is installed correctly. An icon of SD card will appear on the LCD screen.
4. Before installation, make sure that the SD card is not locked. If the SD card is locked, the pictures will not be saved.
5. Supports up to 32GB.



Note

1. Formatting will erase all data including protected data in the SD card.
2. Please do not remove the SD card while the card is being formatted to avoid any file damages.