

Call us to learn more about the following Hamilton Buhl products



Deluxe Headsets with 3.5mm TRRS plugs



Tape to MP3 Converter



Economical CD Player



9" DVD Player



Induction Technology



65 Watt Portable PA

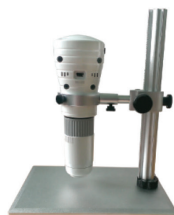


88 Key Roll-Up Electronic Piano



Wireless Bluetooth Headphones

 Bluetooth



500X Magnifier



80 Little Falls Road, Fairfield, NJ 07004
800-631-0868 • Fax: 800-398-1812
sales@hamiltonbuhl.com • www.hamiltonbuhl.com

Bluetooth Movie/Music System

User's Guide for Model No. MV-9910

Table of Contents

Your Portable Movie/Music System	3
Features	
Includes	
Setup	3
Power	
Battery	
Remote Battery	
Orientation	4
Front/Rear Features	
Controls	
Remote	
CD, DVD, Microphone & FM Radio	7
Loading and Playing a CD	
Loading and Playing a DVD	
Programming a CD or DVD	
Using a Microphone	
Playing the FM Radio	
Programming Memory Presets	
SD Card Slot & USB	8
Using an SD Memory Card	
Using a USB Thumb Drive	
Bluetooth & Line In	8
Pairing a Bluetooth Device for the First Time	
Playing Audio Wirelessly	
Using the Line In	
AV Input & AV Outputs	9
Composite Audio/Video Output	
Using the AV Input	
Important Safety Instructions	10
Warnings and Precautions	11
Hamilton Buhl Products	12
Contact Information	

Warnings and Precautions

FCC Warnings

Warning: Changes or modifications to this unit not expressly approved by the party responsible for compliance could void the user's authority to operate the equipment.

NOTE: This equipment has been tested and found to comply with the limits for a Class B digital device, pursuant to Part 15 of the FCC Rules. These limits are designed to provide reasonable protection against harmful interference in a residential installation. This equipment generates, uses, and can radiate radio frequency energy and, if not installed and used in accordance with the instructions, may cause harmful interference to radio communications. However, there is no guarantee that interference will not occur in a particular installation. If this equipment does cause harmful interference to radio or television reception, which can be determined by turning the equipment off and on, the user is encouraged to try to correct the interference by one or more of the following measures:

- Reorient or relocate the receiving antenna.
- Increase the separation between the equipment and receiver.
- Connect the equipment into an outlet on a circuit different from that to which the receiver is connected.
- Consult the dealer or an experienced radio/TV technician for help.

Additional Warnings and Precautions

- **CAUTION:** TO PREVENT ELECTRIC SHOCK, MATCH WIDE BLADE OF PLUG TO WIDE SLOT, FULLY INSERT.
- **WARNING:** To reduce the risk of fire or electric shock, do not expose this apparatus to rain, moisture, dripping, or splashing.
AVIS: Pour réduire le risque d'incendie ou de choc électrique, ne pas exposer cet appareil sous la pluie et l'humidité.
- **CAUTION:** Use of controls or adjustments or performance of procedures other than those specified may result in hazardous radiation exposure.
- **WARNING:** Changes or modifications to this unit not expressly approved by the party responsible for compliance could void the user's authority to operate the equipment.
- **WARNING:** Do not place this unit directly onto furniture surfaces with any type of soft, porous, or sensitive finish. As with any rubber compound made with oils, the feet could cause marks or staining where the feet reside. We recommend using a protective barrier such as a cloth or a piece of glass between the unit and the surface to reduce the risk of damage and/or staining.
- **WARNING:** Use of this unit near fluorescent lighting may cause interference regarding use of the remote. If the unit is displaying erratic behavior move away from any fluorescent lighting, as it may be the cause.
- **CAUTION:** Danger of explosion if battery is incorrectly replaced. Replace only with the same or equivalent type.
AVIS: Danger d'explosion si les piles sont remplacées de façon incorrect. Remplacer les piles seulement par le même type de pile ou l'équivalent.
- **WARNING:** There is a danger of explosion if you attempt to charge standard Alkaline batteries in the unit. Only use rechargeable NiMH batteries.
- **WARNING:** The remote control's button cell battery contains mercury. Do not put in the trash, instead recycle or dispose of as hazardous waste
- **WARNING:** Lithium batteries, like all rechargeable batteries, are recyclable and should be recycled or disposed of in normal household waste. Contact your local government for disposal or recycling practices in your area. They should

never be incinerated since they might explode.

- **WARNING:** Shock hazard - Do Not Open.
AVIS: Risque de choc électrique - ne pas ouvrir
- Caution and marking information is located at the rear or bottom of the apparatus.
Attention et de marquage des informations est situé sur le panneau arrière ou inférieur de l'unité.
- Objects filled with liquids, such as vases, shall not be placed on the apparatus.
Objets remplis de liquides, comme des vases, ne doivent pas être placés sur l'appareil.
- Mains plug is used as disconnect device and it should remain readily operable during intended use. In order to disconnect the apparatus from the mains completely, the mains plug should be disconnected from the mains socket outlet completely.
La prise du secteur est utilisé pour déconnecter le système. La prise du secteur ne doit pas être obstruée ou doit être facilement accessible pendant son utilisation. Pour être complètement déconnecté de l'alimentation d'entrée, la prise doit être débranchée du secteur.
- Battery shall not be exposed to excessive heat such as sunshine, fire or the like.
Les piles ne doivent pas être exposées à de forte chaleur, tel qu'à la lumière du soleil, au feu ou autres choses de semblable.
- This product is supplied with a coin/button cell battery. If the coin/button cell battery is swallowed, it can cause severe internal burns and can lead to death.
Ce produit est livré avec une pile pièce / touche. Si la pile pièce / bouton est avalé, il peut causer des brûlures internes graves et peut conduire à la mort.
- Keep new and used batteries away from children. If the battery compartment does not close securely, stop using the product and keep it away from children.
Gardez les piles neuves et d'occasion à partir des enfants. Si le compartiment de la batterie ne pas fermer correctement, cesser d'utiliser le produit et garder loin des enfants.
- If you think batteries might have been swallowed or placed inside any part of the body, seek immediate medical attention.
Si vous pensez que les batteries peuvent avoir été avalé ou placé à l'intérieur d'une partie du corps, consulter immédiatement un médecin.
- Do not mix old and new batteries.
Ne pas mélanger vieilles et nouvelles batteries.
- Completely replace all old batteries with new ones.
Remplacer complètement toutes les piles par des neuves.
- Do not mix alkaline, standard (carbon-zinc), or rechargeable (ni-cad, ni-mh, etc) batteries.
Ne mélangez pas des piles alcalines, standard (carbone-zinc) ou rechargeables (Ni-Cd, Ni-MH, etc) batteries.
- Batteries should be recycled or disposed of as per state and local guidelines.
Piles doivent être recyclées ou éliminées selon les directives étatiques et locales.

Important Safety Instructions

Important Safety Instructions

- Read these Instructions.
- Keep these Instructions.
- Heed all Warnings.
- Follow all instructions.
- Do not use this apparatus near water.
- Clean only with a dry cloth.
- Do not block any ventilation openings. Install in accordance with the manufacturer's instructions.
- Do not install near any heat sources such as radiators, heat registers, stoves, or other apparatus (including amplifiers) that produce heat.
- Do not defeat the safety purpose of the polarized or grounding - type plug. A polarized plug has two blades with one wider than the other. A grounding type plug has two blades and a third grounding prong. The wide blade or the third prong are provided for your safety. When the provided plug does not fit into your outlet, consult an electrician for replacement of the obsolete outlet.
- Protect the power cord from being walked on or pinched particularly at plugs, convenience receptacles, and the point where they exit from the apparatus.
- Only use attachments/accessories specified by the manufacturer.
- Unplug this apparatus during lightning storms or when unused for long periods of time.
- Refer all servicing to qualified service personnel. Servicing is required when the apparatus has been damaged in any way, such as power-supply cord or plug is damaged, liquid has been spilled or objects have fallen into the apparatus, the apparatus has been exposed to rain or moisture, does not operate normally, or has been dropped.
- Use only with a cart, stand, tripod, bracket, or table specified by the manufacturer, or sold with the apparatus. When a cart is used, use caution when moving the cart/apparatus combination to avoid injury from tip-over.



WARNING: To reduce the risk of electric shock, do not remove cover (or back). No user-serviceable parts inside. Refer servicing to qualified service personnel.



WARNING: DO NOT INGEST BATTERY, CHEMICAL BURN HAZARD.



The exclamation point within an equilateral triangle is intended to alert the user to the presence of important operating and maintenance (servicing) instructions in the literature accompanying the appliance.



The lightning flash with arrowhead symbol, within an equilateral triangle, is intended to alert the user to the presence of uninsulated "dangerous voltage" within the product's enclosure that may be of sufficient magnitude to constitute a risk of electric shock to persons.



This symbol indicates that this product incorporates double insulation between hazardous mains voltage and user accessible parts.



This product utilizes a Class 1 laser to read Compact Discs. This laser Compact Disc Player is equipped with safety switches to avoid exposure when the CD door is open and the safety interlocks are defeated. Invisible laser radiation is present when the CD Player's lid is open and the system's interlock has failed or been defeated. It is very important that you avoid direct exposure to the laser beam at all times. Please do not attempt to defeat or bypass the safety switches.

This product incorporates copyright protection technology that is protected by U.S. patents and other intellectual property rights. Use of this copyright protection technology must be authorized by Rovi Corporation, and is intended for home and other limited viewing uses only unless otherwise authorized by Rovi Corporation. Reverse engineering and disassembly are prohibited.

Your Portable Movie/Music System

Features

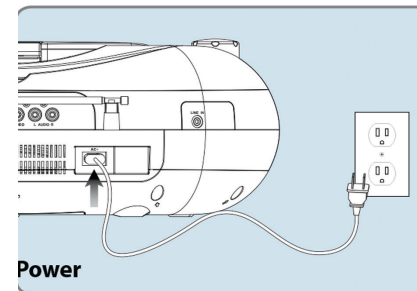
- Supports Bluetooth v2.1
- Wireless range: 33 feet
- Supports Enhanced Data Rate (EDR)
- 7" TFT LCD display
- DVD player: DVD, DVD±R/RW
- CD player: CD, CD-R/RW, MP3 CD, JPEG CD
- Karaoke: DVD, CD+G
- 480 x 234 native resolution
- Aspect ratio: 16:9, 4:3LB, 4:3PS
- NTSC video system
- Digital FM radio (PLL)
- Radio station memory presets (20 FM)
- Multi-language on-screen display
- Top-load disc player
- Digital volume control
- Built-in speakers
- Composite video output

- SD slot and USB port: JPEG, MP3, VOB, MPEG 1 & 2
- 3.5mm audio/video input
- RCA stereo audio outputs
- 3.5mm audio input
- Microphone input
- LED pairing indicator
- Full-function remote
- Telescopic FM antenna
- Carry handle

Includes

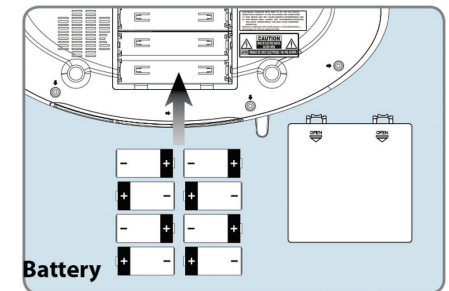
- Remote control: requires a CR2025 battery (pre-installed)
- RCA audio/video cable
- 3.5mm to RCA audio adapter
- AC power cable

Setup



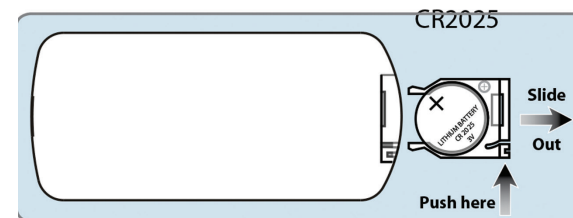
Power

Plug the small end of the power cord into the AC Input on the back of the speaker, and the large plug into a standard wall outlet.



Battery

Requires 8 C sized batteries (not included).

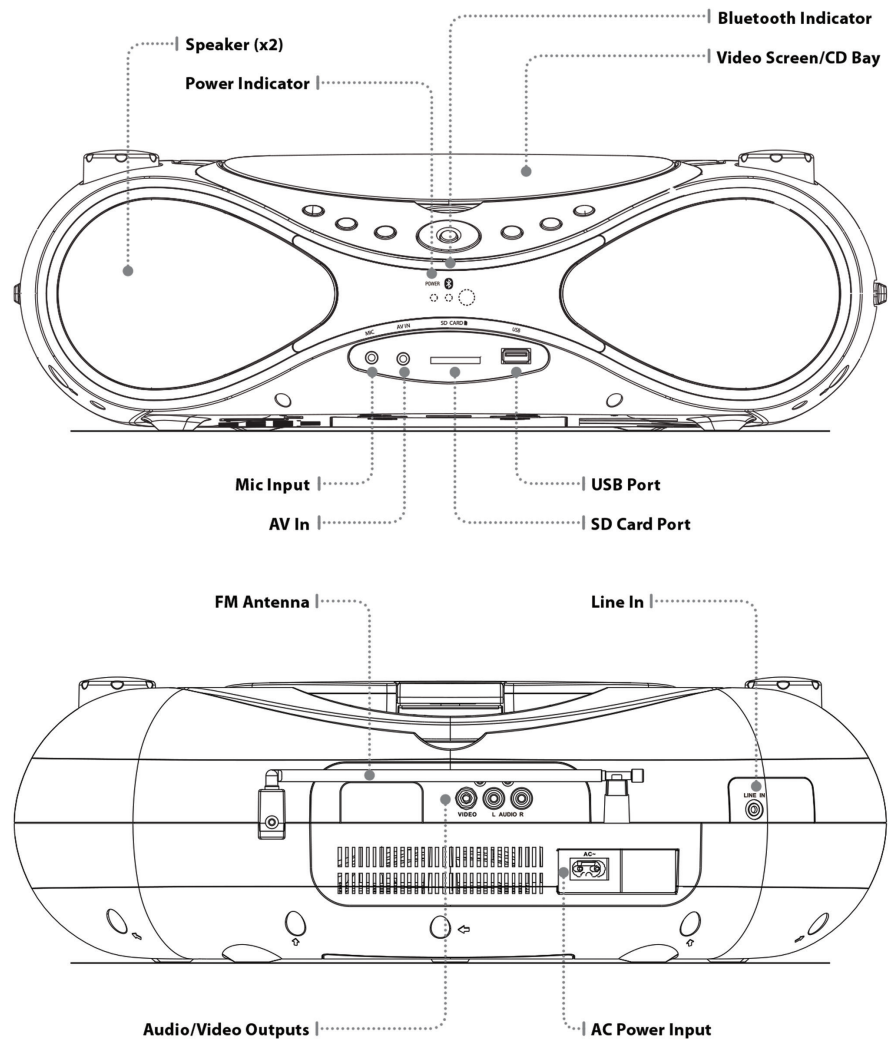


Remote Battery

Requires 1 CR2025 button-cell battery (pre-installed).

Orientation

Front/Rear Features

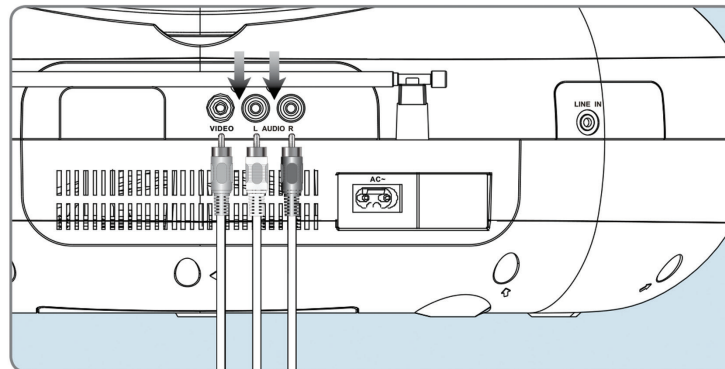


AV Input & AV Outputs

Composite Audio/Video Output

Requires an RCA audio/video cable (included).

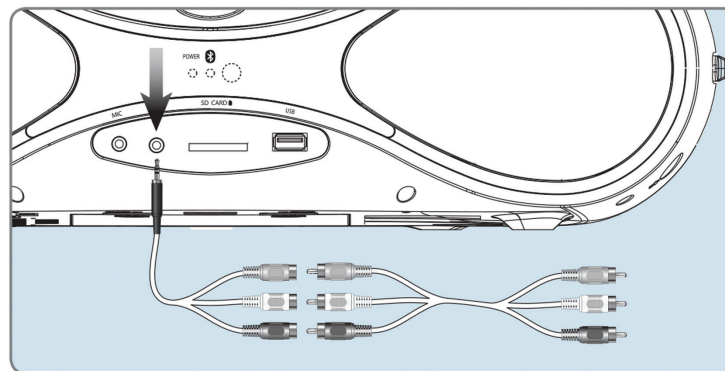
1. Connect an RCA AV cable (included) to the **Composite outputs** on the back of the unit, and the Composite inputs on a television.
2. Adjust the connected television to the proper input setting.
3. Video and sound from a loaded disc can now be played through the unit to the connected television.



Using the AV Input

Requires a 3.5mm to RCA audio/video adapter (included).

1. Connect the included 3.5mm to RCA audio/video adapter to the **AV Input** and the RCA output on another device.
Note: You may also need to plug an RCA AV cable (included) into the adapter to finish connecting.
2. Adjust the **Source** to **AV** mode.
3. Use the native controls on the connected device to play your audio/video through the unit.



SD Card Slot & USB

Using an SD Memory Card

1. Insert a SD memory card into the **SD Card Slot**.
2. In DVD mode, press and hold the **STOP/USB/SD** button to enter USB/Card selection mode.
3. Press the up or down **Arrow** buttons and then press the **OK** button to select **Card mode**.
4. Use the **Arrow** and **OK** buttons to select and play content from the connected SD memory card.

Using a USB Thumb Drive

1. Insert a USB thumb drive into the **USB Port**.
2. In DVD mode, press and hold the **STOP/USB/SD** button to enter USB/Card selection mode.
3. Press the up or down **Arrow** buttons and press the **OK** button to select **USB mode**.
4. Use the **Arrow** and **OK** buttons to select and play content from the connected USB thumb drive.

Bluetooth & Line In

Pairing a Bluetooth Device for the First Time

1. Power on the unit by pressing the **Power** button.
2. Set the **Source** to **Bluetooth** and press and hold the **Pair** button.
The pairing indicator will flash blue quickly. When pairing, remain within 3 feet of the unit.
3. Using the native controls on your Bluetooth device, select the **IBD704** in your Bluetooth settings to pair. If your device requests a password, enter the default password **0 0 0 0**.
Refer to the user's manual for your specific device for instructions on pairing and connecting Bluetooth devices.
4. When successfully paired and connected, a beep will issue from the unit and the **Pairing Indicator** will display a solid blue light.
After initial pairing, the unit will stay paired unless unpaired manually by the user or erased due to a reset of the device. If your device should become unpaired or you find it is unable to connect, repeat the above steps.

Playing Audio Wirelessly

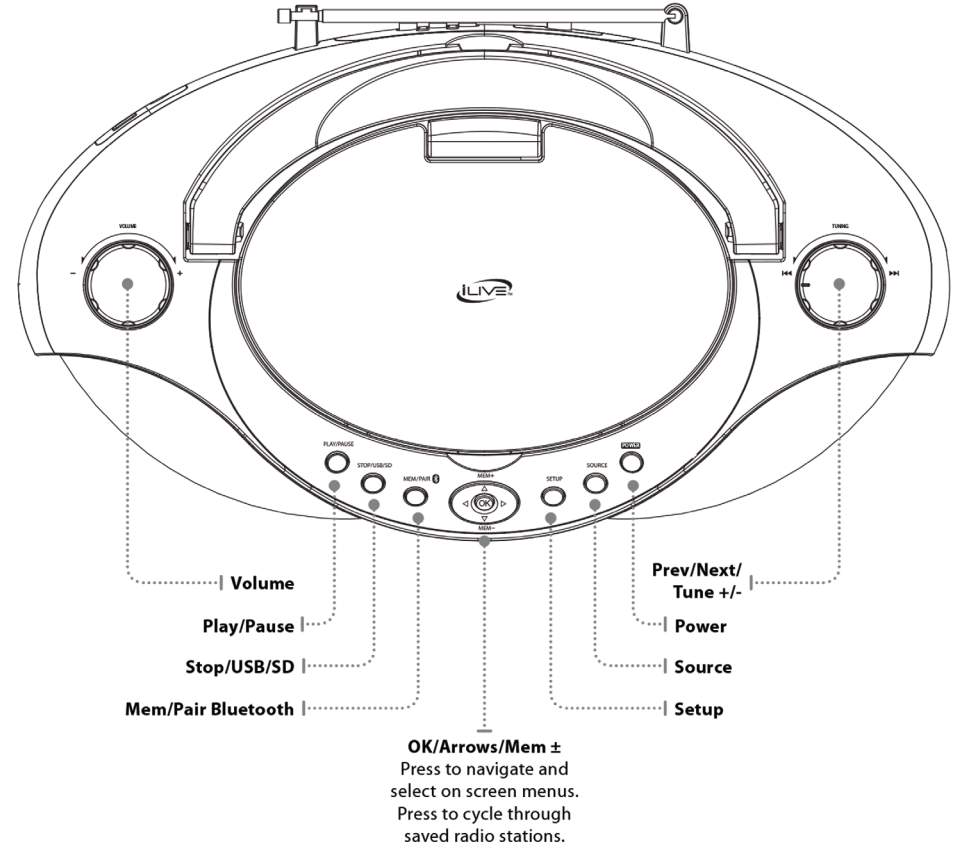
1. After pairing to a bluetooth device, use the native controls on the connected Bluetooth Device to select a track.
2. Play, pause or skip a selected track using the native controls on the connected Bluetooth Device or the controls on the unit.
3. Audio played through the connected Bluetooth device will be heard through the speakers.

Using the Line In

Requires a 3.5 mm audio input cable (not included).

1. Plug one end of a 3.5 mm audio input cable into the **Line In** input on the back of the unit, and plug the other end of the cable into the audio output on an MP3 Player or other audio source.
2. Set the **Source** to **Line In**.
3. Audio played through the connected device will be heard through the speaker.

Controls



Orientation

Remote

Source

Press to select, FM, AV, Line in, DVD or BT.

Display

Press to view the on screen display.

Volume +/-

Press to adjust the volume up or down.

Mute

Press to mute the volume.

Subtitle

Press to cycle through available subtitle options.

Play/Pause

Press to play or pause a loaded disc or track.

Title

Press to view the title menu on the loaded DVD.

Audio

Press to cycle through available audio options.

Step

Press repeatedly to step through frames on a DVD.

Zoom/Slow

Press repeatedly to zoom in or out on a loaded DVD. Press and hold to play a DVD in slow motion.

Mono/ST

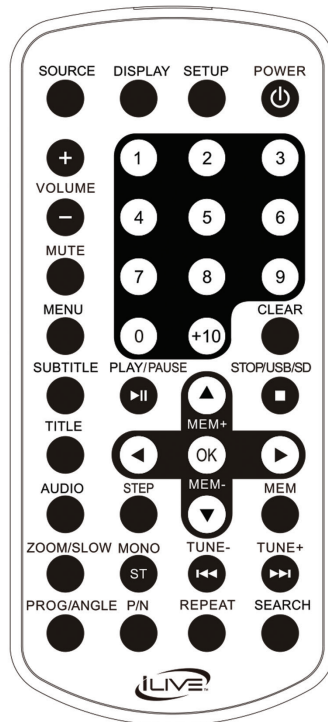
Press to switch between mono or stereo speaker modes.

Prog/Angle

Press to program media playing on the device. Press to activate the angle feature on supported DVDs during play.

P/N

Press to switch between Auto, PAL and NTSC.



Setup

Press to access the setup menu.

Power

Press to power the unit on.

Number Keypad

Clear

Press to clear any current programs.

Stop/USB/SD

Press to stop a loaded disc during play. In DVD mode, press and hold to enter USB/Card selection mode.

Arrows/OK

Press to navigate menus and make selections.

Mem+/-

Press to cycle through saved FM radio stations.

Mem

Press to save FM radio stations to Memory.

Prev/Next/Tune+/-

Press to skip between audio tracks or DVD chapters. In BT mode, press to skip between tracks. In FM Mode, press to tune the FM radio.

Repeat

Press to repeat a chapter, title, track, or the entire disc.

Search

Press to search a loaded disc for a specific track or chapter.

CD, DVD, Microphone & FM Radio

Loading and Playing a CD

1. Open the **Disc door**.
2. Load a CD, CD-R/RW, MP3 CD or CD+G disc into the player, label side facing up.
3. Close the **Disc door**.
4. Press the **Source** button to set the unit to **DVD** mode. The player will automatically detect the CD and begin playing music.

Loading and Playing a DVD

1. Open the **Disc Door**.
2. Load a DVD into the player, label side facing up.
3. Close the **Disc Door**.
4. Press the **Source** button to set the unit to **DVD** mode. The player will automatically detect the DVD and begin playing video.

Programming a CD or DVD

1. While the loaded disc is playing, press the **Program** button on the remote.
2. Use the **Arrow** and **Number Keypad** buttons to enter in the track numbers, titles or chapters in the order you want to play them.
3. When you have finished, select "Play" at the bottom of the menu and press the **OK** button. The unit will begin playing tracks, titles or chapters according to the program.

Using a Microphone

The unit has a 3.5mm microphone input to allow unit to be used as a karaoke machine. Simply plug the microphone in and it will be heard over the speakers. A microphone is not included with the unit.

Playing the FM Radio

1. Set the **Source** to **FM mode**.
2. Adjust the **Tuning** dial to tune the radio. Adjust the position of the **Telescopic FM Antenna** to improve FM radio reception.

Programming Memory Presets

1. With the **FM Radio** on and the video display up, tune the unit to the desired radio station using the **Tuning Dial** on the unit, or the **Tune +/-** buttons on the remote.
2. Press the **Mem** button on the unit or the remote. The display will read "Save". Press the **Mem +/-** buttons on the unit or the remote to select a Memory Preset (1 to 20). Press the **Mem** button again to save the radio frequency to that preset.
3. Your Memory Preset has been saved, press the **Mem +/-** buttons on the unit or the remote to cycle through your saved radio stations.