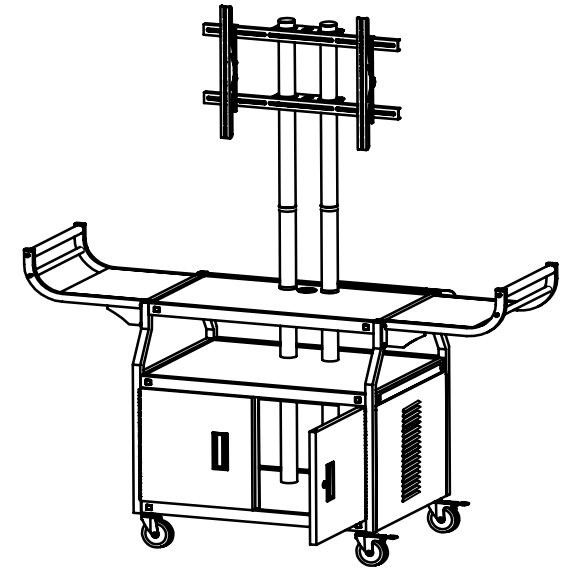


# Instruction Sheet

Model #: SWB-80

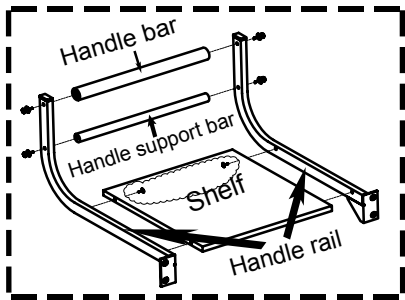
Warranty begins the date item ships from our warehouse. All products, except for metal carts, have a one year warranty from original date of shipment, unless otherwise noted. Metal carts have a limited lifetime warranty on all housing components; however, carts have a one year warranty on any electrical/mechanical components.

**Note:** This unit is easier to assemble with two people.

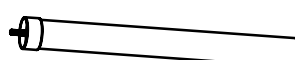


## Parts list

Qty.	Description	Qty.	Description
1	Top shelf with decal	2	Handle shelf
1	Middle shelf	2	Caster with brake
1	Bottom shelf	2	Caster without brake
2	Side panel	1	Power cord
1	Rear panel	1	Electrical bracket
1	Left door assembly	3 Set	Screw and serrated nut (E)
1	Right door assembly	12 Set	Hex head screw & washer for the caster (F)
2	Leg (Labeled "X")	2	Security screw for top horizontal mount (G)
2	Leg (Labeled "O")	2	Screw for bottom horizontal mount (H)
2	Upper pole	25 Set	Square head bolt, washer and hex nut (I)
2	Lower pole	8 Set	Hex head screw & washer for fixing handle shelf (J)
2	Horizontal mount	8 Set	Hex head screw & washer for the handle (K)
2	Vertical mount	8	Philip head screw for the handle shelf (L)
		2 Set	Screw for fixing the support pole (M)
		17 Set	Machine screw and washer (N)
		4	5 mm screw for TV set (See Screw table M5)
		8	6 mm screw for TV set (See Screw table M6)
		4	8 mm screw for TV set (See Screw table M8)
		4	10 mm screw for TV set (See Screw table M10)



Upper pole



Lower pole



Horizontal mount



Vertical mount

### Screw table

Some screws may have already screwed on the related parts.

M5	M5x12	H	M10x20 (On the bottom horizontal mount)
M6	M6x12	I	
M8	M8x16	J	M6x16 (On the legs)
M10	M10x16	K	M6x25 (On the handle bar & handle support bar)
E	M5x55	L	M5x10 (On the handle rail)
F	M8x20	M	M8x16 (On the lower pole)
G	M10x20 (On the top horizontal mount)	N	M5x12

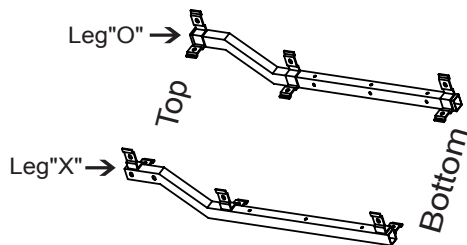
### Tools required

- Hex wrench
- L key (provided)
- Adjustable wrench/pliers
- Rubber mallet

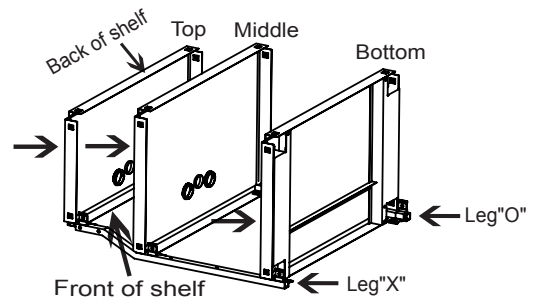
**WARNING:** Please keep the TV mounting screws M5, M6, M8 & M10 and the L key in a secure location as they may be required for use with the flat panel TV at a later time.

**PROP 65 WARNING:** This product contains the chemical known to the State of California to cause cancer and birth defects or other reproductive harm.

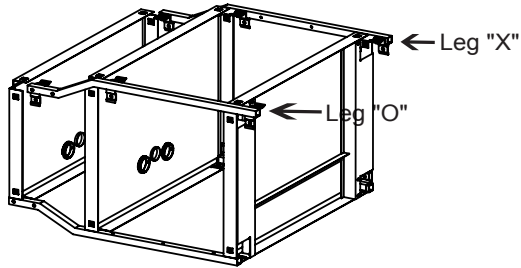
( Instructions continued on next page )



1. Lay front legs (labeled "O" and "X") on the floor with the brackets facing upward and inward as illustrated. Note: legs, when placed on the floor should bend upward, off the floor at their top end and the width of the unit should remain constant all the way to the top.

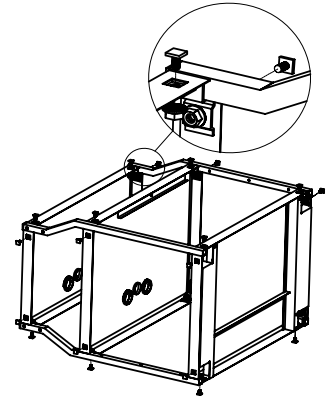


2. Slide each shelf over the brackets on the legs. **The brackets should be inside the shelves.** The largest shelf is the bottom shelf. The top shelf has logo decal on it.

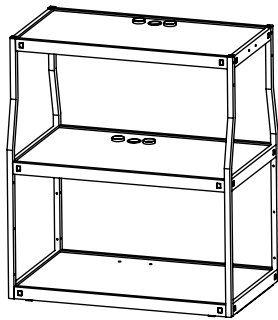


3. Slide the two remaining legs onto the shelves as illustrated. Make sure that the brackets are inside the shelves.

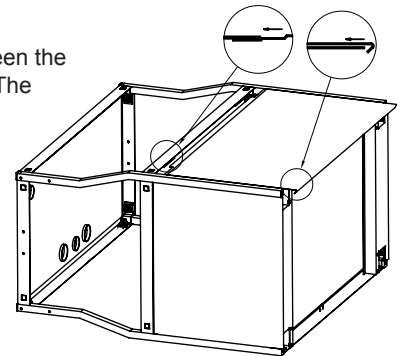
4. **HAND TIGHTEN** the top, middle and bottom shelves at the two corners with square head bolt, washer and nut (screw table I) as illustrated. Please make sure washer and nut are together on the inside of the leg bracket.



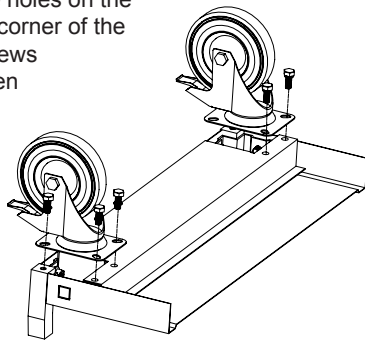
5. In order to have the unit properly aligned, stand unit upright on a level surface. Gently rock unit back and forth to realign and level the unit. **TIGHTEN ALL NUTS AND BOLTS WITH WRENCHES AT THIS TIME.** Unit should now be properly aligned and level. If unit is not level at this time, repeat the above steps before proceeding to step 6.



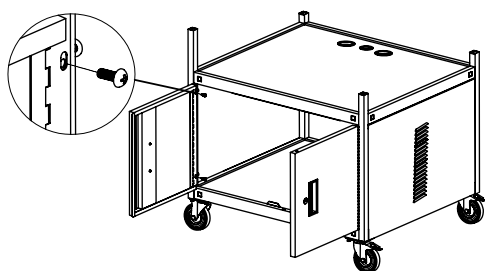
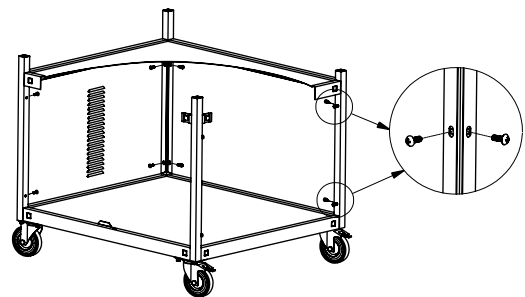
6. Slide the rear panel between the middle and bottom shelf. The bottom of the rear panel needs to hook onto the bottom shelf frame lip and the top of the rear panel needs to go in between middle shelf lip and the brackets. The side panels Assembly as same as above steps.



7. Lay unit on the floor. Align the holes on the casters with the holes on the corner of the bottom shelf. Use the hex screws (see Screw table F) and tighten the caster. Repeat the same for the other three casters. It is recommended you place the locking casters on either the right side or left side of the unit for safer and easier movement of cart through doorways, ect..

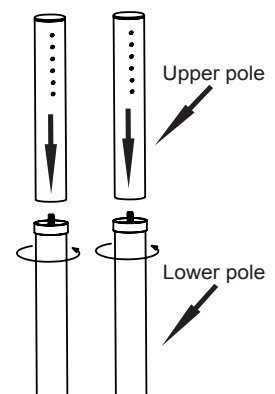


8. To secure the cabinet panel, use the machine screws (see screw table N) to tighten the cabinet panels to the frame poles as shown. There are two screws on each side.

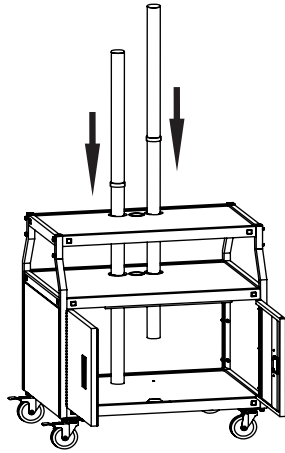


9. Install the two doors onto the frame with two machine screws (see screw table N) on each side. **Do not tighten completely at this time.** Adjust the doors to make sure they close and lock OK. Tighten all screws.

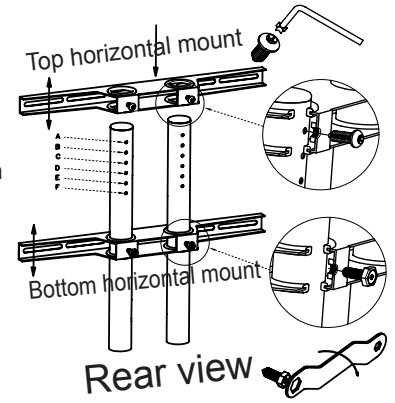
10. Hand-tighten the upper poles (with holes) to the lower poles.



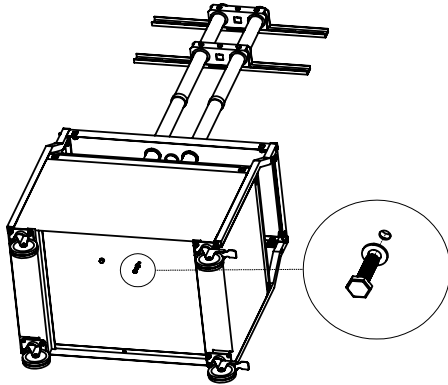
11. Insert the two supporting poles onto the holes of top and middle shelves as shown.



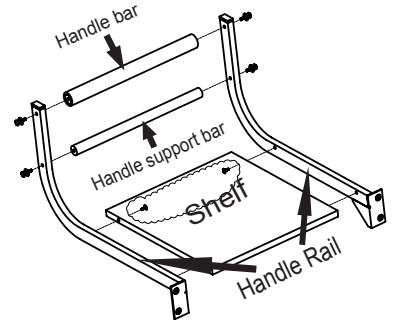
12. Insert the two horizontal mounts onto the supporting poles. Note: The mount with adjustable screw (see screw table H) should go on the bottom. Screw (see screw table G) the top mount to desired height from A to F. Adjust the bottom mount height according to the TV screw position as shown.



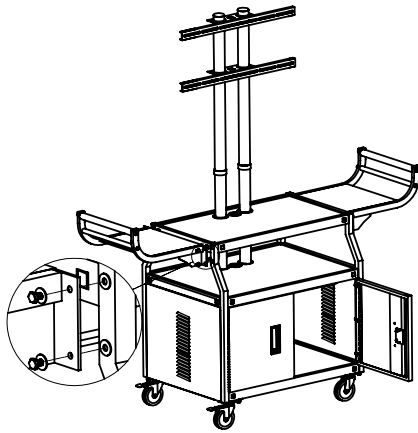
13. Tighten the two supporting poles onto the bottom shelf with two screws as shown (see screw table M).



14. **Handle shelf assembly**  
Unscrew the screws from handle bar, handle support bar and handle rail (see screw table K&L). Align the holes on the handle rail with handle bar, handle support bar and shelf, tighten the screws as shown.

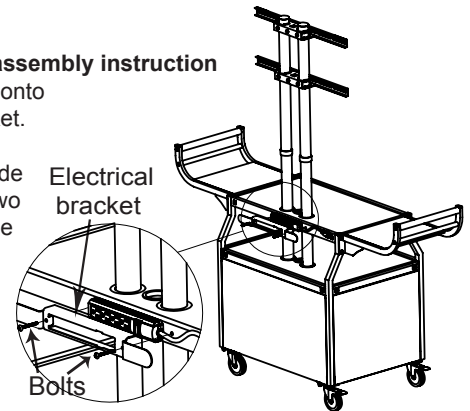


15. Unscrew the screws from the legs (see screw table J). Align the holes on the bracket of the handle shelf with the holes on the cart, tighten the screws.

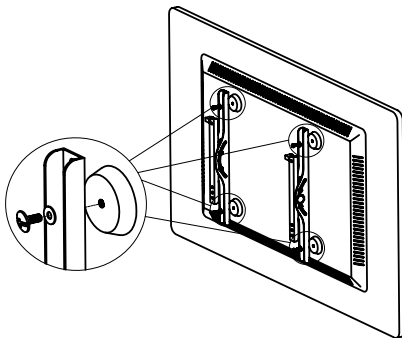


16. **Electrical bracket assembly instruction**

- Push power cord onto cord winder bracket.
- Attach electrical bracket to back side of top shelf with two nuts and bolts (see screw table E). Tighten nuts and bolts securely. Wrap power cord around wings of the bracket.



17. Use the appropriate screws needed (M5, M6, M8 or M10, see screw table M5, M6, M8 or M10) to fasten the flat panel TV onto the vertical mounts as shown.



18. Hook the vertical mount onto the top horizontal mount. Align the nut on the vertical mount with the top horizontal mount slot, fasten the vertical mount with screw M6 (see screw table M6) onto the top horizontal mount as shown. Align the bottom horizontal mount slot with one of the 3 nuts on the vertical mount. Use screw M6 (see screw table M6) to fasten the vertical mount to the bottom horizontal mount as shown.

