



**Buhl Industries VP-30
Visual Presenter**

USER MANUAL

Version 8-5-08

NOTICES: PLEASE READ CAREFULLY BEFORE USE

- Use the visual presenter under rated electric conditions with included power supply only
- Do not place the visual presenter on any unstable surface.
- Do not place this device directly under sunlight or near heaters.
- Do not place this device near water.
- Keep the camera away from acid or alkali gas.
- Do not place this visual presenter in humid, dusty, windy or vibrant locations.
- The recommended operating environment is:
 - Temperature: 0°C - 45°C (32°F - 113°F)
 - Humidity: Less than 75%
- Always unplug BEFORE cleaning the device. Use a damp soft-cloth for cleaning. Do not use volatile solvent.
- When this equipment functions abnormally, such as smoke, smell, noise, immediately unplug and call for professional assistance.
- Unplug the visual presenter or shut off the power when not in use.

CONTENTS

System Diagram:.....	1
Rear Panel Connections	1
Front Control Panel.....	2
Specifications	4
Initial Setup	5
Operating Instructions.....	6
Troubleshooting	7
Packing List and Accessories	8
Service and Support	8

System Diagram:



- | | |
|-------------------------|------------------|
| 1. Camera head | 6. Lighting arm |
| 2. Remotes Sensor | 7. Power switch |
| 3. Upper mechanical arm | 8. Base light |
| 4. Main mechanical arm | 9. Control panel |
| 5. Side lamp | 10. Base unit |

Rear Panel Connections



Video, Audio: Video & Audio Input

Video, Audio: Composite Video & Audio Output

S-VIDEO: S-video Output

MIC: Microphone Input

VGA OUT1;VGA OUT2 : VGA Output

VGA IN1; VGA IN2: VGA Input

PC IN: PC stereo audio input

USB: PC connector

DC12V: power adapter connector

Front Control Panel:



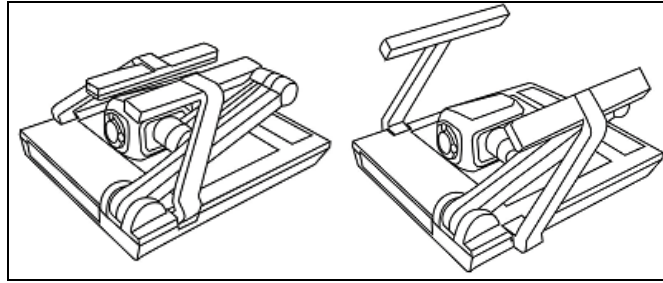
- 1) **POWER**: Press the Power button for 3 seconds to turn the camera on or off.
- 2) **VGA**: Switch between VGA output 1 & VGA output 2
- 3) **RED+**, **RED -** : Image chroma control (red).
- 4) **BLUE+**, **BLUE -** : Image chroma control (blue).
- 5) **BRT+**, **BRT -** : Image brightness control.
- 6) **MIRROR**: Toggle mirror image of camera output (Left to right)
- 7) **LIGHT**: Lamp control – Toggles between base lamp, arm lamps, all lamps and off.
P/N: Switch the image mode between positive and negative.
- 8) **AWB**: Perform white balance automatically.
- 9) **T/I**: Switch the image between text mode and dynamic mode. Text mode gives sharper and better-colored images when showing printed material.
- 10) **FREEZE**: Freeze frame the image
- 11) **BROWSE**: Enable the function of side-by-side images comparison on same screen.
- 12) **PLAYBACK**: Playback saved pictures
- 13) **FOCUS**: Automatically focus the image
- 14) **ZOOM UP, ZOOM DOWN**: Zoom the image in and out

SPECIFICATIONS:

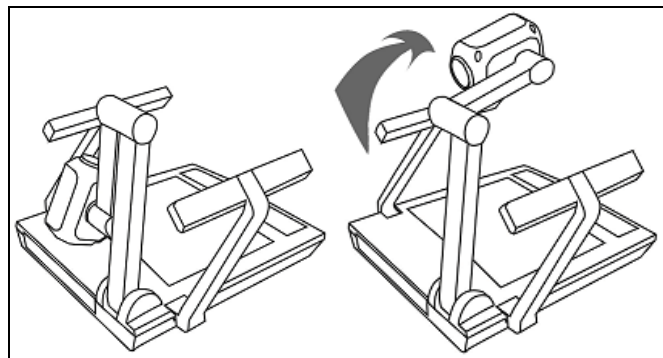
Power supply		12V DC power adapter
Maximum power consumption		20 W
Operating condition	Temperature	0 — 45°C
	Humidity	5% - 75% Non-condensing
Dimensions(packing case)		425mm*477mm*170mm (W
Weight		6.0 kg
Light source		LED
Compliance		ROHS,CE,CCC,ISO9001
Inputs	Audio	1 x , <2.0 Vp -- p
	Video	1 x , <1.0 Vp -- p/75Ω
	Signal system	NTSC
	VGA (PC)	2x
Outputs	Audio	1 x , <2 Vp -- p
	Video	1 x , <1.0Vp -- p/75Ω
	Signal system	NTSC
	USB connector	1x
	S-Video	1X
	VGA (PC)	2X
Camera	Video output	RGBHV
	Sensor	CCD image sensor
	Total pixels	850,000
	Focus	Auto/manual
	Zoom	> 96X
	Scan frequency	48 KHz (horizontal) , 60 Hz
	Images side-by-side	Manual
	Brightness adjustment	Manual
	Text/Image mode switch	Manual

Initial Setup:

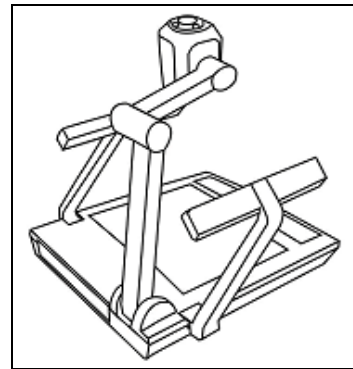
1. Unpack system and put aside all packing materials. Unfold the lighting arms until reach the end position.



2. Raise the main camera arm until it locks in place, then rotate the upper camera arm.



3. Rotate the camera head until the lens face the center of the base unit.



4. Connect RGB interface: use the provided RGB cable, connect the output of the visual presenter with the RGB input the display (monitor, television or projector).
5. Connect the composite-in interface: use the provided RCA pin cable. Plug the power cord into the power cord receptacle of the visual presenter and the AC outlet.

Operating Instructions

1. General:

- 1). Turn on the Power switch.
- 2). Place the target object on the stage.
- 3). Adjust the image size according to the object size by pressing the ZOOM up/ ZOOM down buttons on the control panel.
- 4). Press the “Focus” button for automatic focus.
- 5). “Freeze” button can be used to lock the image while changing displaying materials.
- 6) “Browse” and “Freeze” buttons can be used to compare a previous captured image with the current image side by side.
- 7) Turn the knob on the camera will change the alignment of the image.

2. Showing printed material:

For sharper image and more vivid color, choose the Text mode by pressing “FN” and “P/N” button.

3. Showing the transparent material such as an overhead transparent sheet:

Press the “Light” button until the built-in base light lights up.

Troubleshooting

Symptoms	Possible causes/counter-measures
No image	<ol style="list-style-type: none">1. Power cord is not properly connected.2. Cables are not properly connected.3. Power switch is not turned on.4. The built-in fuse is broken: Change fuse.
Upper light not on	<ol style="list-style-type: none">1. The filament is broken. Change the bulb.2. the lamp is not fully plugged in its holder:
Out of focus or blurring image	<ol style="list-style-type: none">1. The object is too close to the lens.2. Focus is on the max. point of “Tele” press “Wide”.3. Auto-focus is not on: press AF again.4. Fog on the lens in damp climate. It will disappear gradually when the equipment warms up.

If the problem still remains after checking the above, consult your dealer or authorized service personnel.

PACKING LIST AND ACCESSORIES:

Item	Quantity
Power cord	1
VGA Cable	1
User Manual	1
Spare Fuse	1 (installed in the power receptacle)
USB Cable	1

Service and Support:

Manufacturer's Website: www.HamiltonElectronics.com

Technical Support: support@hamiltonelectronics.com