

Instruction Manual



Charge 'n Roll™ Portable Charging Station

Model #: CNR15



Please read this manual before using and retain for future reference.

Charge 'N Roll is a mobile charging device with glide wheels. It is ideal for schools, businesses, hotels or anyone who needs to charge devices (up to 15 smartphones and tablet PCs at once), easily, and on the go!

Charge 'N Roll is compatible with smartphones and tablets up to 9.4" x 6.67" x 0.24".

1. Specifications

- Input: 100-240V AC 50/60Hz 3.6A
- Output: 5V DC 2100mA *15 ports
- Standard: GB4943.1-2011, UL/CUL60950, EN60950
- Indicator Lights:
 - Power On or Charge Complete - Green
 - Charging - Red
- Fuse: T6.3AL/250V AC
- Built-in Voltage, Current and Short-Circuit Protection
- Dimensions: 22" (L) x 17.4" (W) x 9.8" (D)
- Net Weight: 24.7 lbs.
- Operating Temperature: 32°F ~ 86°F
Storage Temperature: -4°F ~ 122°F,

2. Operation

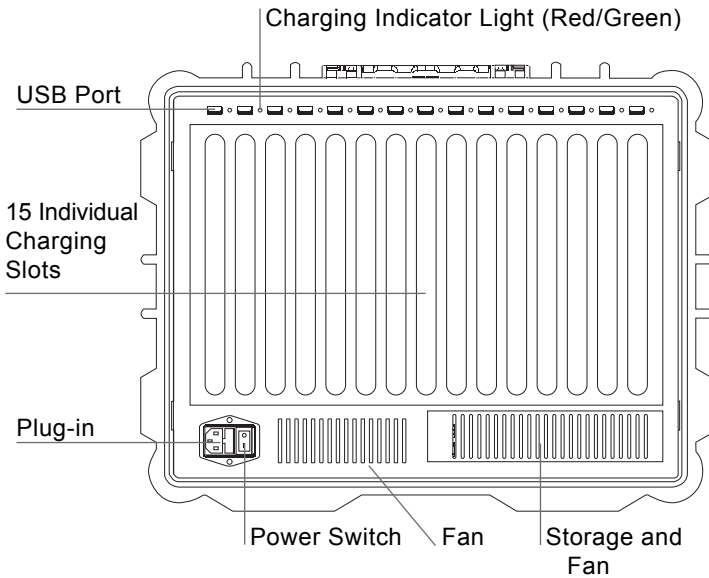
Transporting:

- Make sure all latches are securely locked.
- When transporting, make sure all handles are folded down.
- To move, pull out the height-adjustable telescoping handle at the top of the unit.

How to Open the Unit:

- There are 4 latch locks on the unit. Each has a safety lock that needs to slide to the unlock position.
- Press down the orange levers on the latch lock and pull the latch up to open.
- Once all latches are open, you may open the case.
- Pull out the power cord from the top storage area and connect to the unit and to the power source.
- Flip up the power switch to the on position. The fan will turn on simultaneously.
- Insert a USB cable for each device you are charging.
- A red LED light will indicate that the device is charging. The light will turn green when charging is complete.

3. Diagram



Note: When first turning on the power, the LED will show a “Green” light even though no devices are attached. The LED lights will change to “Red” as soon as devices are connected and will stay “Red” until charge is complete.

Caution:

1. Keep this unit open while charging.
2. Use only a proper power source AC outlet.
3. Any attempts to disassemble or refit the unit may void the manufacturer's warranty.
4. Do not operate in high-temperature (above 90°F) or high humidity environments.
5. If signs of overheating are visible, unplug the unit immediately and contact the manufacturer.
6. Keep away from children.
7. Keep the unit level while charging.
8. Unplug the power source when not in use or when transporting.
9. If ever discarding the unit, follow your local recycling regulations.

Product Registration Instructions



Visit: www.HamiltonBuhl.com

1. Click on Customer Care
2. Click on Product Registration Icon
3. Please fill out all fields marked with * to register

Warranty:

Warranty begins the date item ships from our warehouse. All products have a one year warranty from original date of shipment, unless otherwise noted.



80 Little Falls Road
Fairfield, NJ 07004
1-800-631-0868
www.HamiltonBuhl.com