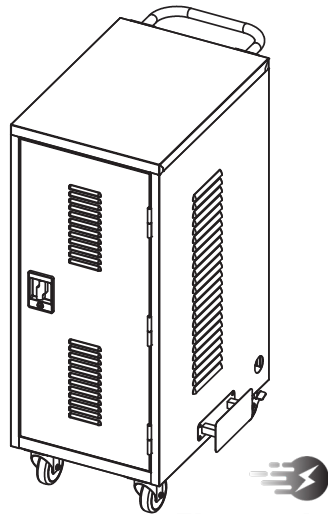
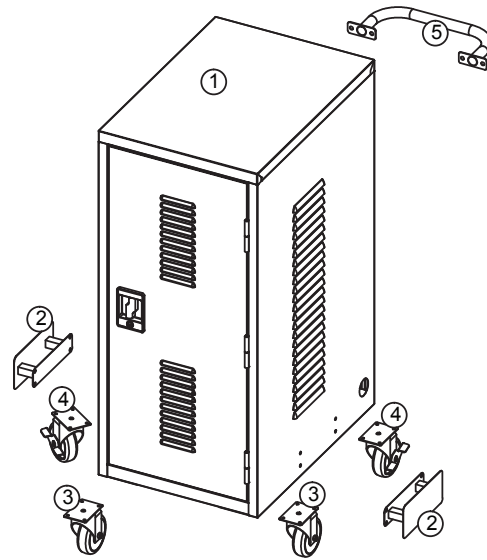


Installation Manual

Model #: LTAB-30A

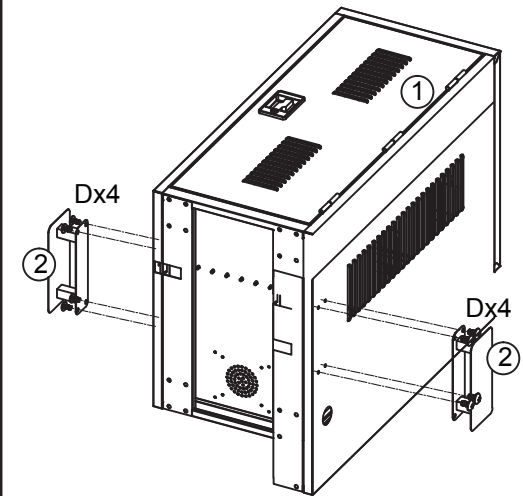


Charge 'n Store
30-Bay Charging Station and Storage Cart



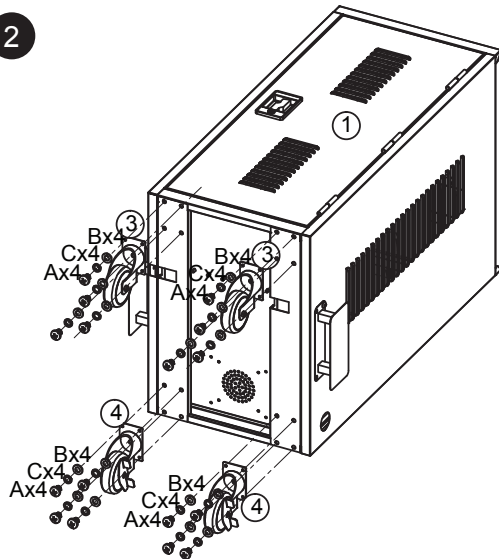
Ax20	M6x12
Bx20	
Cx20	
Dx8	M5x12

1



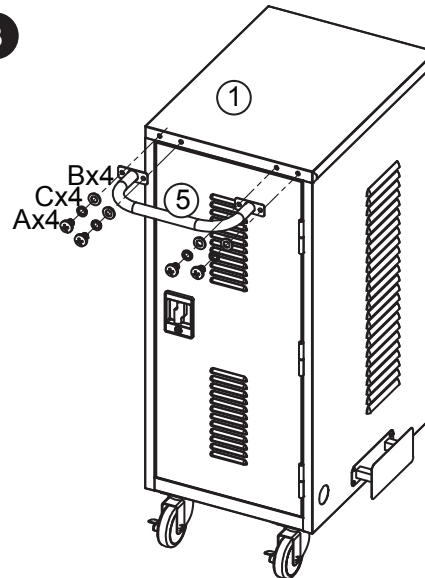
Put the two cable management bars (Part 2) on the sides, then tighten the screws (D).

2



Put all the casters (Part 1) on the bottom, locking them on the backside. Then, tighten the screws (A, B and C).

3



Put the handle (Part 5) on the top as shown and tighten the screws (A, B and C).

Product Registration Instructions

Visit: www.HamiltonBuhl.com



1. Click on Customer Care.
2. Click on Product Registration Form.
3. Please fill out all fields marked with * to register your product.

Warranty:

Warranty begins the date item ships from our warehouse. All products have a one year warranty from original date of shipment, unless otherwise noted.



80 Little Falls Road, Fairfield, NJ 07004
www.HamiltonBuhl.com
1-800-631-0868