

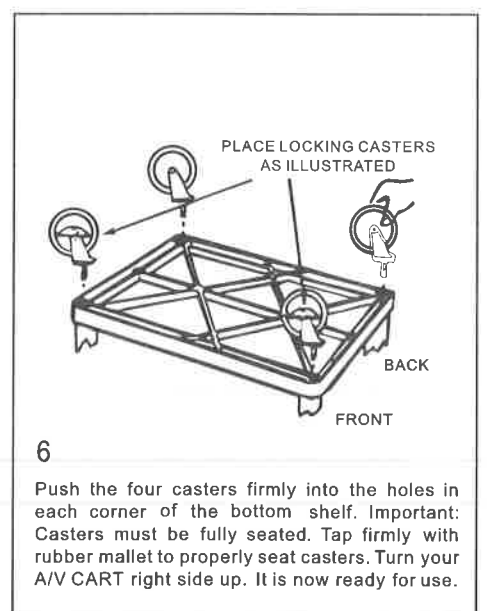
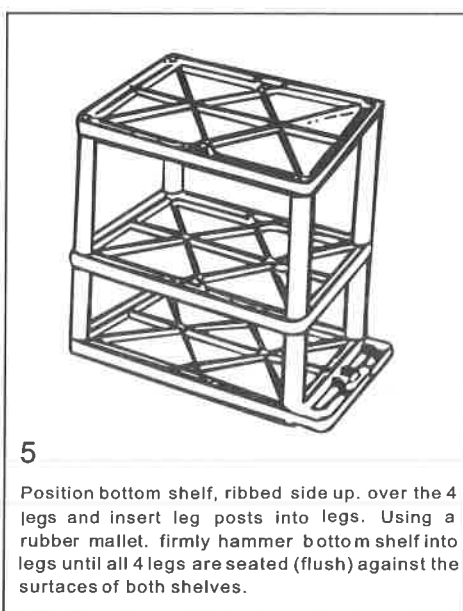
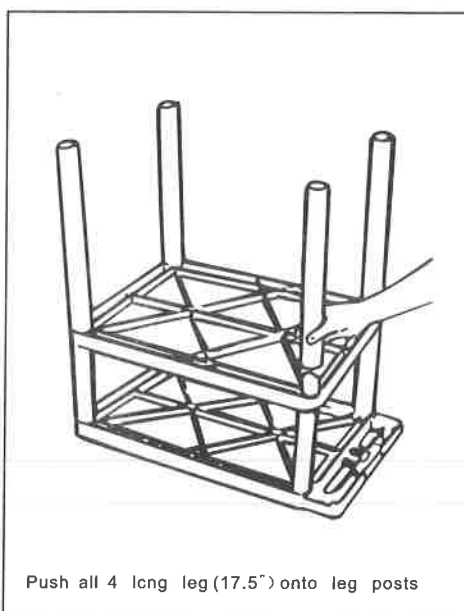
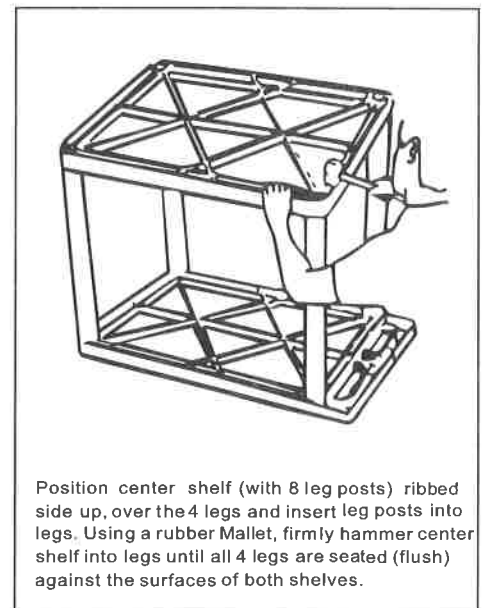
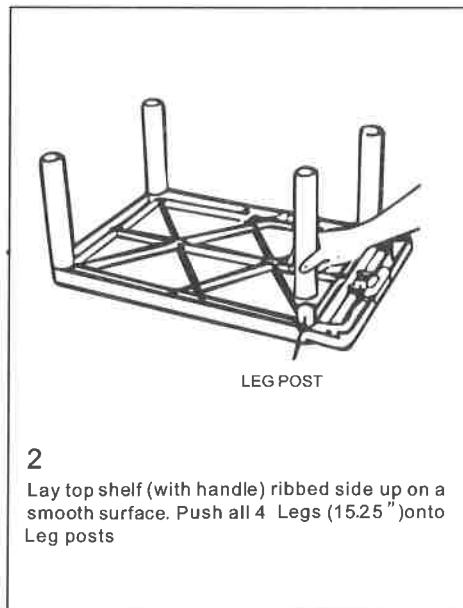
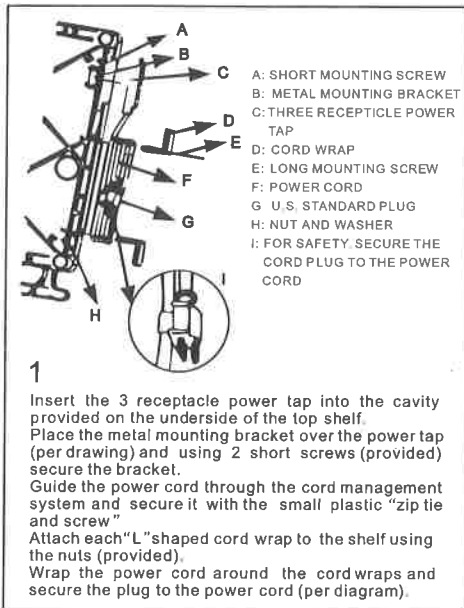
ASSEMBLY INSTRUCTIONS: PAC - 42 in. CART

PARTS LIST

- 1- top shelf
- 1- middle shelf
- 1- bottom shelf
- 1- UL approved power cord w/3 receptacle power tap
- 1- zip tie w/ screw hole and long Phillips head screw (for power cord)
- 1-"L" shaped metal bracket w/2 screw holes and 2 short Phillips head screws
- 4- medium legs (15.25 inches long each)
- 4- long legs (17.5 inches long each)
- 2-"L" shaped cord wraps w/U.S. Standard nuts.
- 4- casters. two locking and 2 non locking
- 1- round plug for hole in top shelf

Tools Required

- 1- Rubber Mallet
- 1- Phillips Screwdriver



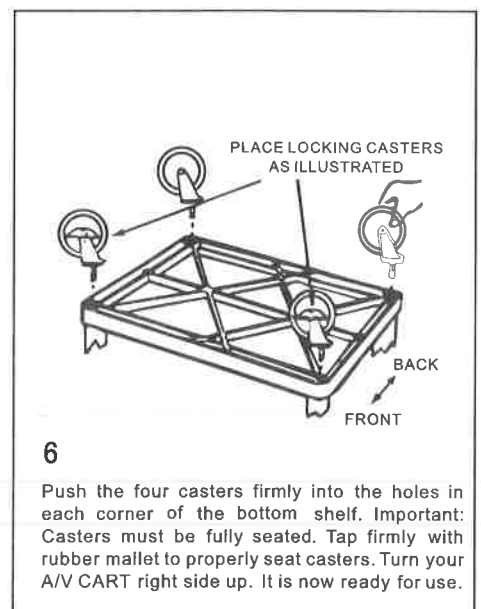
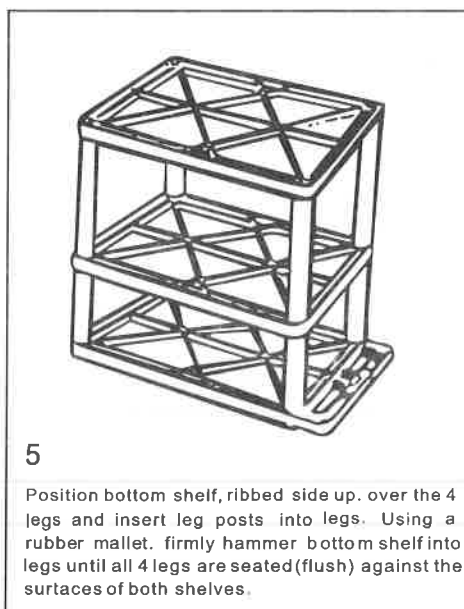
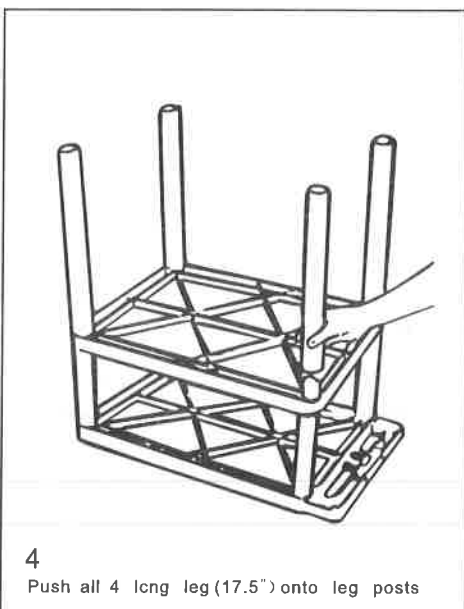
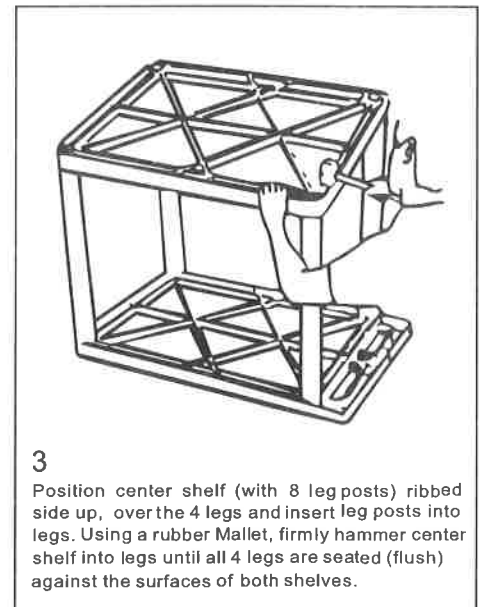
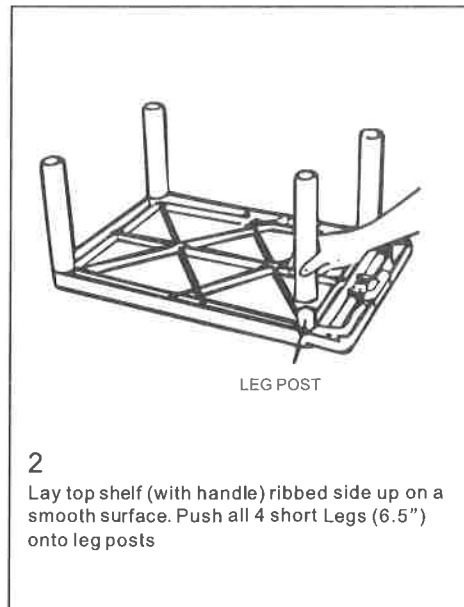
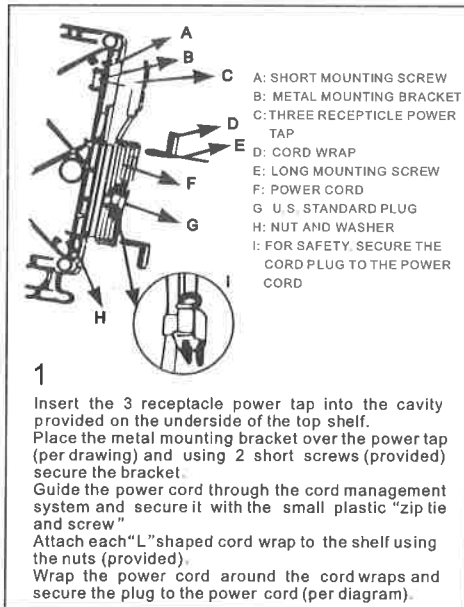
ASSEMBLY INSTRUCTIONS: PAC - 34 in. CART

PARTS LIST

- 1- top shelf
- 1- middle shelf
- 1- bottom shelf
- 1- UL approved power cord w/3 receptacle power tap
- 1- zip tie w/ screw hole and long Phillips head screw (for power cord)
- 1- "L" shaped metal bracket w/2 screw holes and 2 short Phillips head screws
- 4- short legs (6.5 inches long each)
- 4- long legs (17.5 inches long each)
- 2- "L" shaped cord wraps w/U.S. Standard nuts.
- 4- casters, two locking and 2 non locking
- 1- round plug for hole in top shelf

Tools Required

- 1- Rubber Mallet
- 1- Phillips Screwdriver



ASSEMBLY INSTRUCTIONS: PAC - 26 in. CART

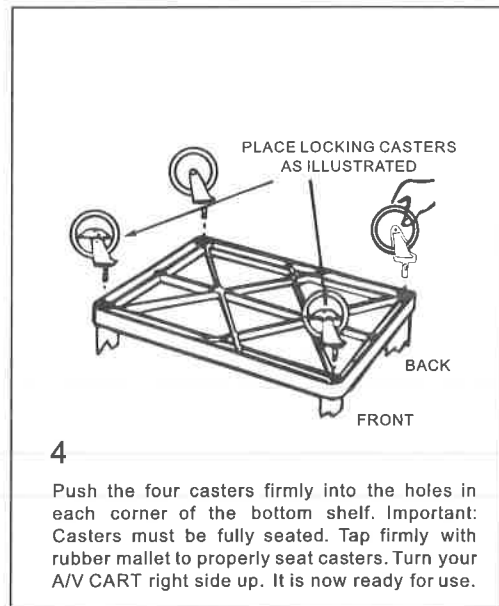
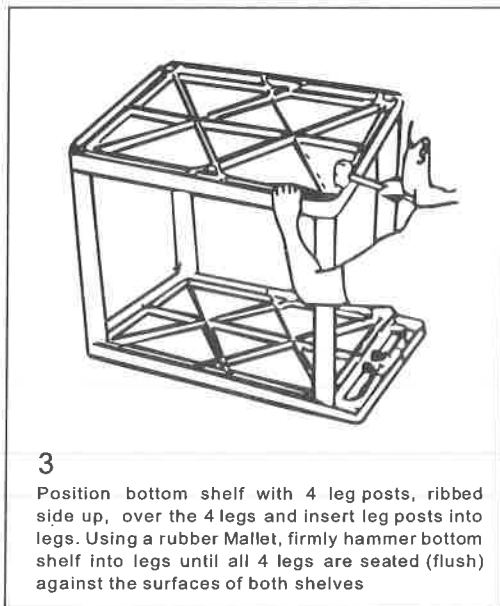
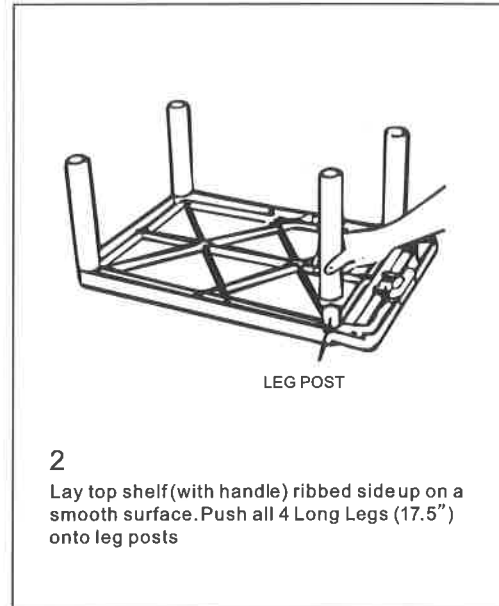
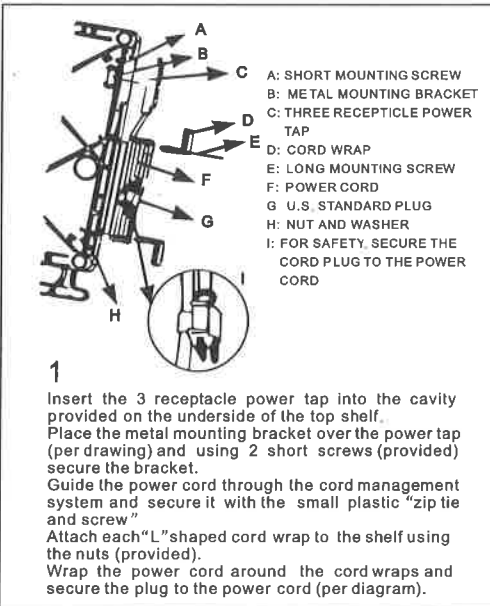
PARTS LIST

- 1- top shelf
- 1- bottom shelf
- 1- UL approved power cord w/3 receptacle power tap
- 1- zip tie w/ screw hole and long Phillips head screw (for power cord)
- 1- "L" shaped metal bracket w/2 screw holes and 2 short Phillips head screws
- 4- long legs (17.5 inches long each)
- 2- "L" shaped cord wraps w/U.S. Standard nuts.
- 4- casters, two locking and 2 non locking
- 1- round plug for hole in top shelf



Tools Required

- 1- Rubber Mallet
- 1- Phillips Screwdriver



ASSEMBLY INSTRUCTIONS: PAC - 16 in. CART

PARTS LIST

- 1- top shelf
- 1- bottom shelf
- 1- UL approved power cord w/3 receptacle power tap
- 1- zip tie w/ screw hole and long Phillips head screw (for power cord)
- 1- "L" shaped metal bracket w/2 screw holes and 2 short Phillips head screws
- 4- short legs (6.5 inches long each)
- 2- "L" shaped cord wraps w/U.S. Standard nuts.
- 4- casters, two locking and 2 non locking
- 1- round plug for hole in top shelf

Tools Required

- 1- Rubber Mallet
- 1- Phillips Screwdriver

